

Central Brass

COMPANY

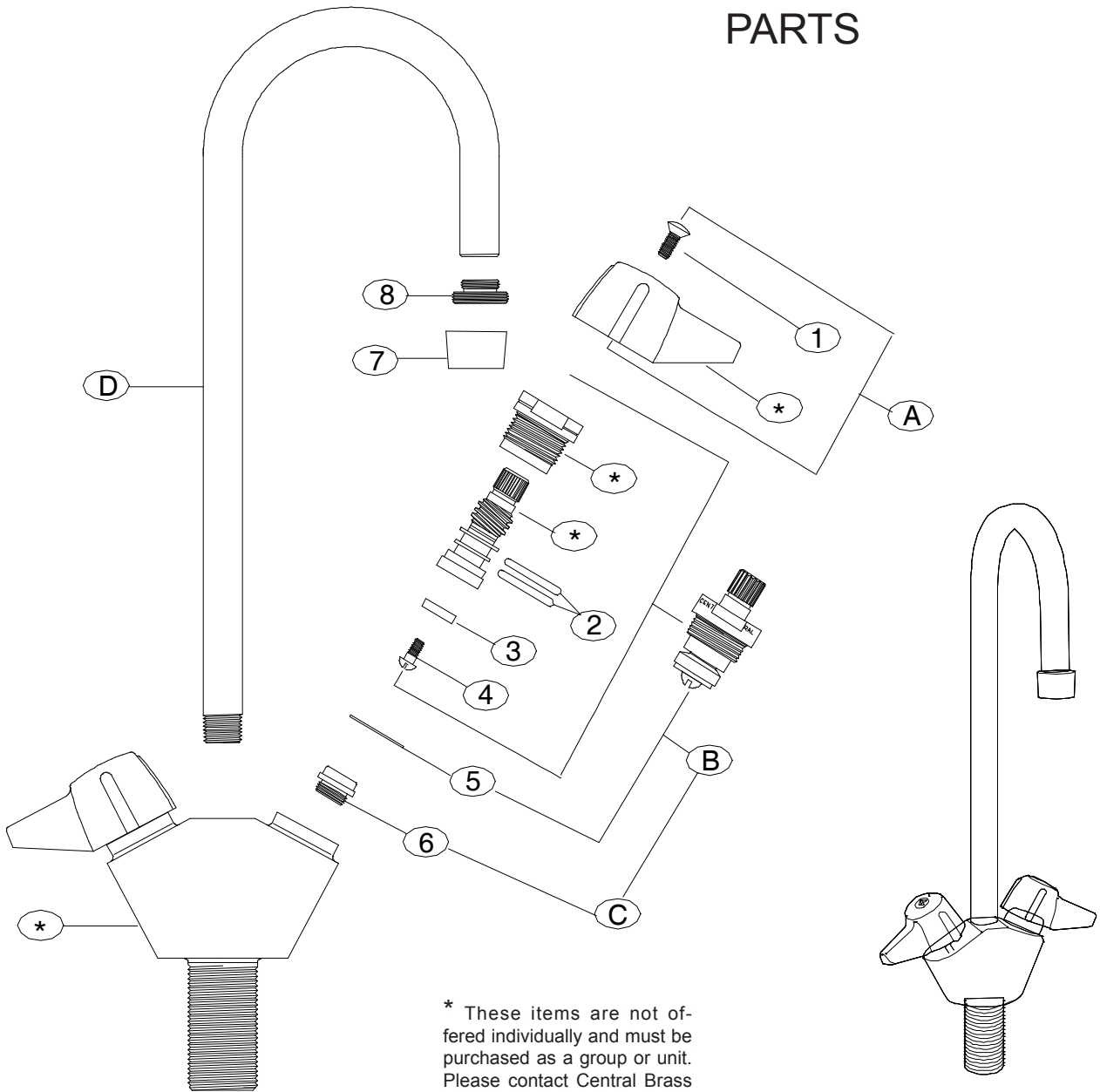
Brecksville, Ohio 44141

Phone: (216)883-0220 Fax: (440)526-5745

www.CentralBrass.com

MODEL NO. 0289 Series
Cast Brass Bar Faucet

REPLACEMENT PARTS



* These items are not offered individually and must be purchased as a group or unit. Please contact Central Brass for more information.

Central Brass

COMPANY

Brecksville, Ohio 44141

Phone:(216)883-0220 Fax: (440)526-5745

www.CentralBrass.com

**MODEL NO. 0289 Series
Cast Brass Bar Faucet**

REPLACEMENT PARTS

#	Part #	Description
A	G-523-C	Lever Handle Indexed C with Screw (X107-F)
A	G-523-H	Lever Handle Indexed H with Screw (X107-F)
B	G-453-EL	Cold O-Ring Stem Assembly with Gasket (X1028-Y)
B	G-453-ER	Hot O-Ring Stem Assembly with Gasket (X1028-Y)
C	K-453-C	Cold O-Ring Stem Assembly with Gasket (X1028-Y) and Seat (X263-BC)
C	K-453-H	Hot O-Ring Stem Assembly with Gasket (X1028-Y) and Seat (X263-BC)
D	SU-157-GLA	Rigid Gooseneck Spout with Aerator (30-M)
E	G-284	Locknut & Washer Group
F	SU-767	Supply tubes with O-Ring
1	X107-F	Handle Screw (25 pcs per pack)
2	X1038-453	O-Rings (25 pcs per pack)
3	X901-WNN	Stem Seat Washer (25 pcs per pack)
4	X104	Seat Washer Screw (25 pcs per pack)
5	X1028-Y	Gasket (25 pcs per pack)
6	X263-BC	Replacement Seat (10 pcs per pack)
7	30-M	Aerator
8	XPF-166-U	Spout End Adapter (2 pcs per pack)
9	X52	Washer (10 pcs per pack)

- If faucet has round handles (G-398), use two Hot stem assemblies
- If faucet has lever handles, use one Hot and one Cold stem assemblies