

Central Brass

C O M P A N Y

Brecksville, Ohio 44141

Phone: (216) 883-0220 Fax: (440) 526-5745

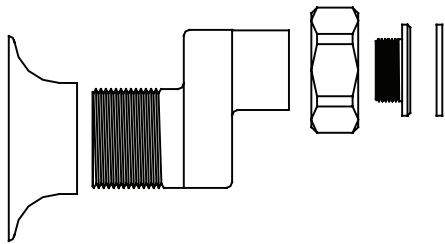
www.CentralBrass.com

FLANGE OPTIONS
0047, 0048, 0050, 0054

SU-2806

"S" Flange

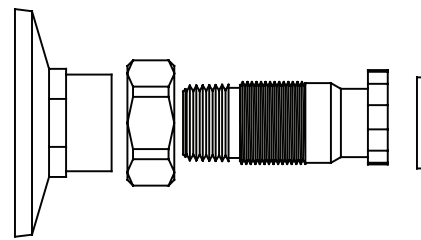
SU-2806: Adjustable from 6-1/2 to 9-1/2 inch centers
1/2-14 NPS female inlet thread



SU-2846

"T" Flange

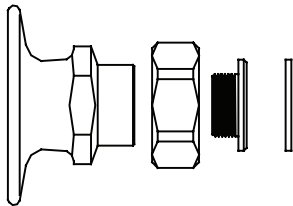
SU-2846: Adjustable from 7-7/8 to 8-1/8 inch centers
1/2-14 NPT male inlet thread



SU-2807

"U" Flange

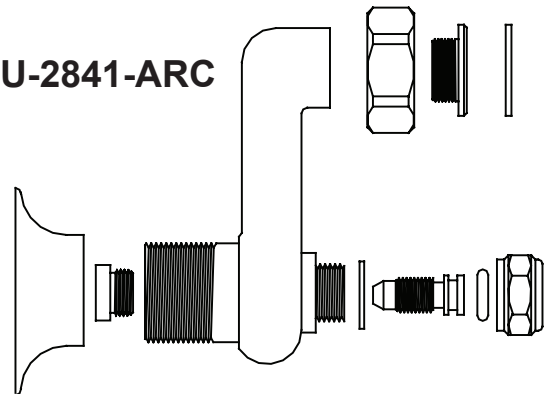
SU-2807: Adjustable from 7-7/8 to 8-1/8 inch centers
with 1/2-14 NPSM female inlet thread



"YRC" Flange

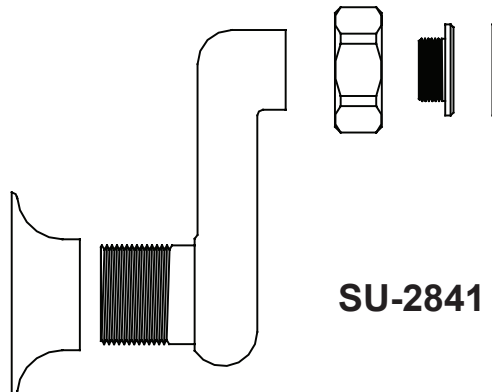
SU-2841-ARC: Adjustable from 3 to 13 inch centers
with integral stops, 1/2-14 female inlet thread

SU-2841-ARC



"R" Flange

SU-2841: Adjustable from 3 to 13 inch centers
with 1/2-14 female inlet thread
(Replacement Parts Only)



SU-2841

Central Brass

C O M P A N Y

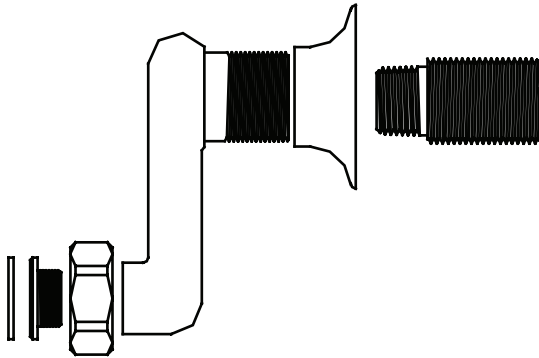
Brecksville, Ohio 44141

Phone: (216) 883-0220 Fax: (440) 526-5745

www.CentralBrass.com

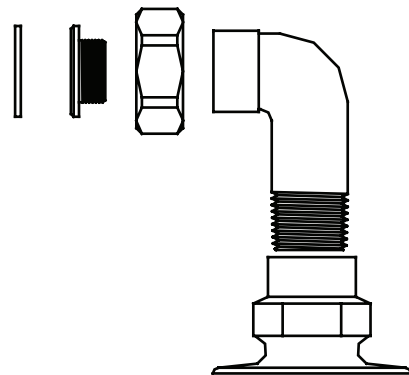
FLANGE OPTIONS
0045, 0046, 0211

SU-2841-S: Adjustable from 2-1/2 to 8-1/2 inch centers
with 3/4-14 NPSM male inlet thread
(0211 Series Only)



SU-2841-S

SU-2883
with 1/2-14 NPS female inlet thread
(0045, 0046 Series Only)



SU-2883