

Model# 0033-1/2HV-02

Self-Close Wallmount Faucet

FEATURES & SPECIFICATIONS

- 4-Arm Vandal Proof Handle
- Plain End
- 1/2-14 NPS Female Thread
- Replaceable Seat
- 1-Hole Wallmount
- Solid Flange

FINISHES

- PC Polished Chrome

STANDARDS

- ASME A112.18.1
- CUPC / IAPMO LISTED
- CONTAINS NO MORE THAN 0.25% WEIGHTED AVERAGE LEAD CONTENT



WARRANTY

- Lifetime Limited Warranty
- Lifetime Residential Warranty
- 5 Year Commercial Warranty

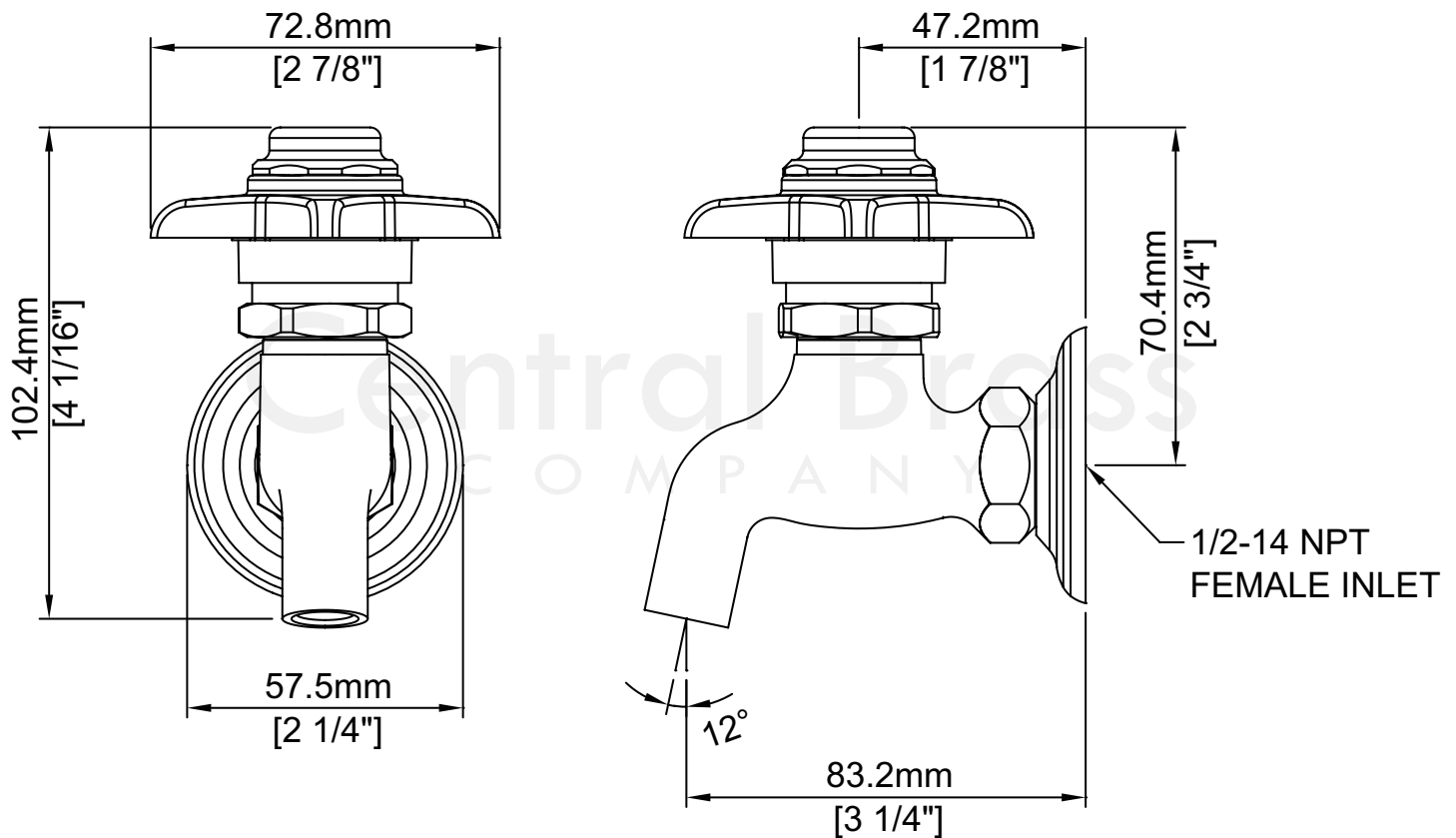
0033-1/2HV-02/REV. 11 2016

Product Specifications subject to change without notice

Job Name _____ Date _____
Model Specified _____ QTY _____
Customer/Wholesaler _____
Contractor _____
Architect/Engineer _____
Submitted as Shown _____
Submitted w/ Variations _____

Model# 0033-1/2HV-02

Self-Close Wallmount Faucet



0033-1/2HV-02/REV. 11 2016

Product Specifications subject to change without notice