



ENGINEERING EXCELLENCE

Mod Series #4MO100T PARTS BREAKDOWN SHEET

DESCRIPTION

- Single Handle Tub and Shower Trim Set
- Metal Lever Handle
- Ceramic Disc Cartridge with Temperature Limit Stop
- Single Function 6" Square Showerhead
- 8-7/8" L Shape Shower Arm And Shower Arm Flange
- Combo 1/2" IPS/Slip-On Diverter Tub Spout With Escutcheon
- Color Match Sleeve and Retaining Ring

FINISHES

- PC Polished Chrome
- BN PVD Brushed Nickel
- MB Matte Black



FLOW

- Showerhead Limited to 1.75 GPM Flow Rate

#4MO100T SHOWN * ADA 

STANDARDS APPLICABLE

- ASME A112.18.1
- ANSI A117.1
- CUPC / IAPMO LISTED /ADA COMPLIANT

Model #: _____

Specific Features: _____

Project Name: _____

Submitted For: _____

Model	Description	Finishes	
#4MO100T	Single Handle Tub and Shower Trim Set	<input type="checkbox"/> PC	<input type="checkbox"/> Other___
#4MO300T	Single Handle Shower Trim Set	<input type="checkbox"/> PC	<input type="checkbox"/> Other___
Required Valve			
#4020B	Single Handle Tub And Shower Valve Set	<input type="checkbox"/> N/A	



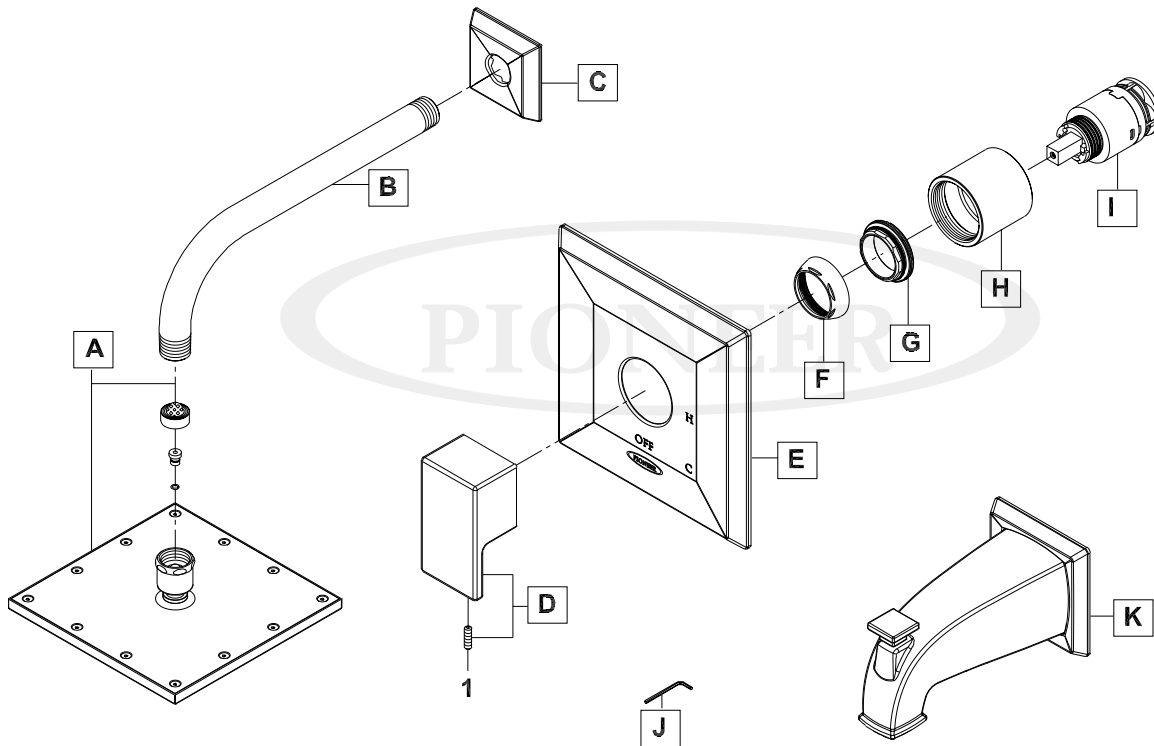
ENGINEERING EXCELLENCE

Pioneer:1-800-338-9468
 Commerce, CA 90040
 www.pioneerind.com
 Pioneer Industries, Inc. © 2018

Note:-There is more than 1 version of this model. Page down to identify the version you have.

	ITEM #	DESCRIPTION
A	X-6400077**	Single Function Square Showerhead
B	X-6400104*	Shower Arm
C	X-6400103*	Shower Arm Flange
D	X-1400043*	Metal Lever Handle
E	X-6400064*	Face Plate
F	X-4200001*	Retainer Cap
G	X-4400080	Retainer Nut
H	X-4400030*	Sleeve
I	X-3400007	Ceramic Disc Cartridge
J	X-4900024	Allen Wrench
K	X-6400086*	1/2" Combo Diverter Tub Spout
1	X-4900080	Allen Screw

* Note: Please specify finish/color when ordering.
 **X-6400077 is replaced by X-6400088 after June 2017.



Product Diagram

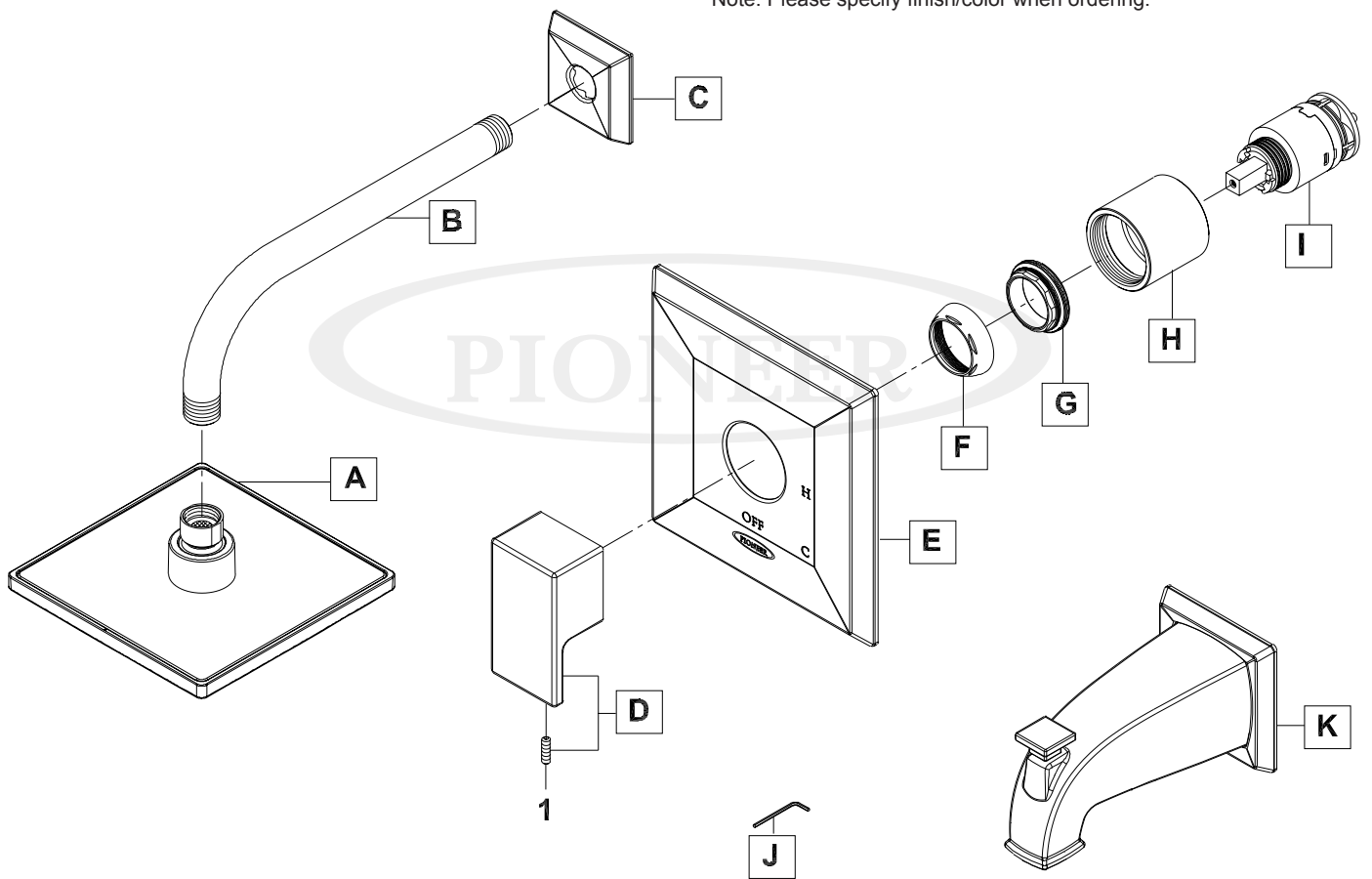


ENGINEERING EXCELLENCE

Pioneer:1-800-338-9468
 Commerce, CA 90040
 www.pioneerind.com
 Pioneer Industries, Inc. © 2018

	ITEM #	DESCRIPTION
A	X-640088*	Single Function Square Showerhead
B	X-6400104*	Shower Arm
C	X-6400103*	Shower Arm Flange
D	X-1400043*	Metal Lever Handle
E	X-6400064*	Face Plate
F	X-4200001*	Retainer Cap
G	X-4400080	Retainer Nut
H	X-4400030*	Sleeve
I	X-3400007	Ceramic Disc Cartridge
J	X-4900024	Allen Wrench
K	X-6400086*	1/2" Combo Diverter Tub Spout
1	X-4900080	Allen Screw

* Note: Please specify finish/color when ordering.



Product Diagram



ENGINEERING EXCELLENCE

Pioneer: 1-800-338-9468
 Commerce, CA 90040
 www.pioneerind.com
 Pioneer Industries, Inc. © 2018