



ENGINEERING EXCELLENCE

Del Mar Series #6DM400

SPECIFICATION SHEET

DESCRIPTION

- Handheld Shower Set
- 25-1/8" Slide Bar with Brass Mounts
- Five Function Handheld Showerhead
- Brass Drop Ell With Vacuum Breaker
- 60" Stainless Steel Flex Hose

STANDARDS APPLICABLE

- ASME A112.18.1
- ANSI A117.1
- CUPC / IAPMO LISTED
- Note:- Slide bar is not designed to be used as grab bar.

FINISHES

- PC Polished Chrome
- BN PVD Brushed Nickel
- ORB Oil Rubbed Bronze

FLOW

- Showerhead Limited to 1.75 GPM



#6DM400 SHOWN



Model #: _____

Specific Features: _____

Project Name: _____

Submitted For: _____

Model	Description	Finishes
#6DM400	Handheld Shower Set	<input type="checkbox"/> PC <input type="checkbox"/> Other____



ENGINEERING EXCELLENCE

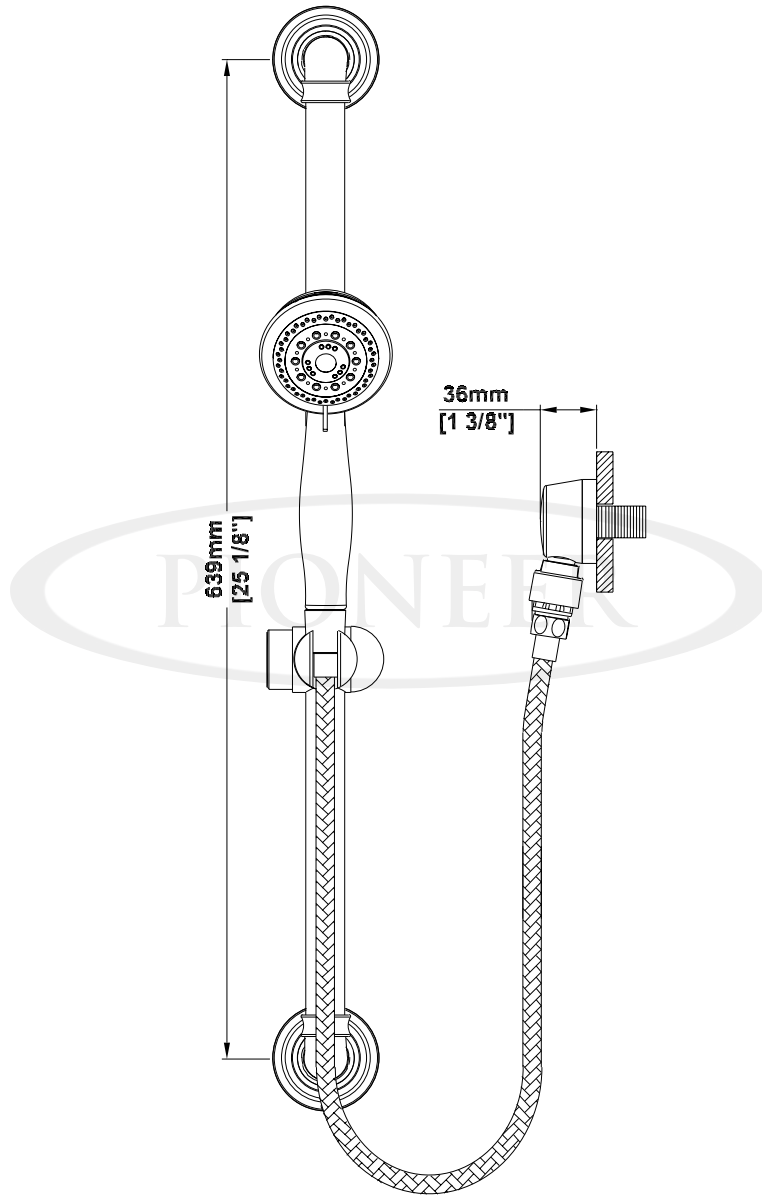
Pioneer:1-800-338-9468
 Commerce, CA 90040
 www.pioneerind.com
 Pioneer Industries, Inc. © 2013

DMSP6DM400/REV. 12 2012

Page 1 of 2

Installation Note:

Please refer to Installation Guide For this Product.



Product Diagram



ENGINEERING EXCELLENCE

Pioneer: 1-800-338-9468

Commerce, CA 90040

www.pioneerind.com

Pioneer Industries, Inc. © 2013