



ENGINEERING EXCELLENCE

Del Mar Series #6DM400

PARTS BREAKDOWN SHEET

DESCRIPTION

- Handheld Shower Set
- 25-1/8" Slide Bar with Brass Mounts
- Five Function Handheld Showerhead
- Brass Drop Ell With Vacuum Breaker
- 60" Stainless Steel Flex Hose

FINISHES

- PC PVD Polished Chrome
- BN PVD Brushed Nickel
- PN PVD Polished Nickel
- ORB Oil Rubbed Bronze



#6DM400 SHOWN \* ADA 

STANDARDS APPLICABLE

- ASME A112.18.1
- ANSI A117.1
- ADA COMPLIANT
- **Note:-** This product complies with ADA requirement for lever handle. Slide bar is not designed to be used as grab bar.

FLOW

- Showerhead Limited to 2.5 GPM

Model #: \_\_\_\_\_

Specific Features: \_\_\_\_\_

Project Name: \_\_\_\_\_

Submitted For: \_\_\_\_\_

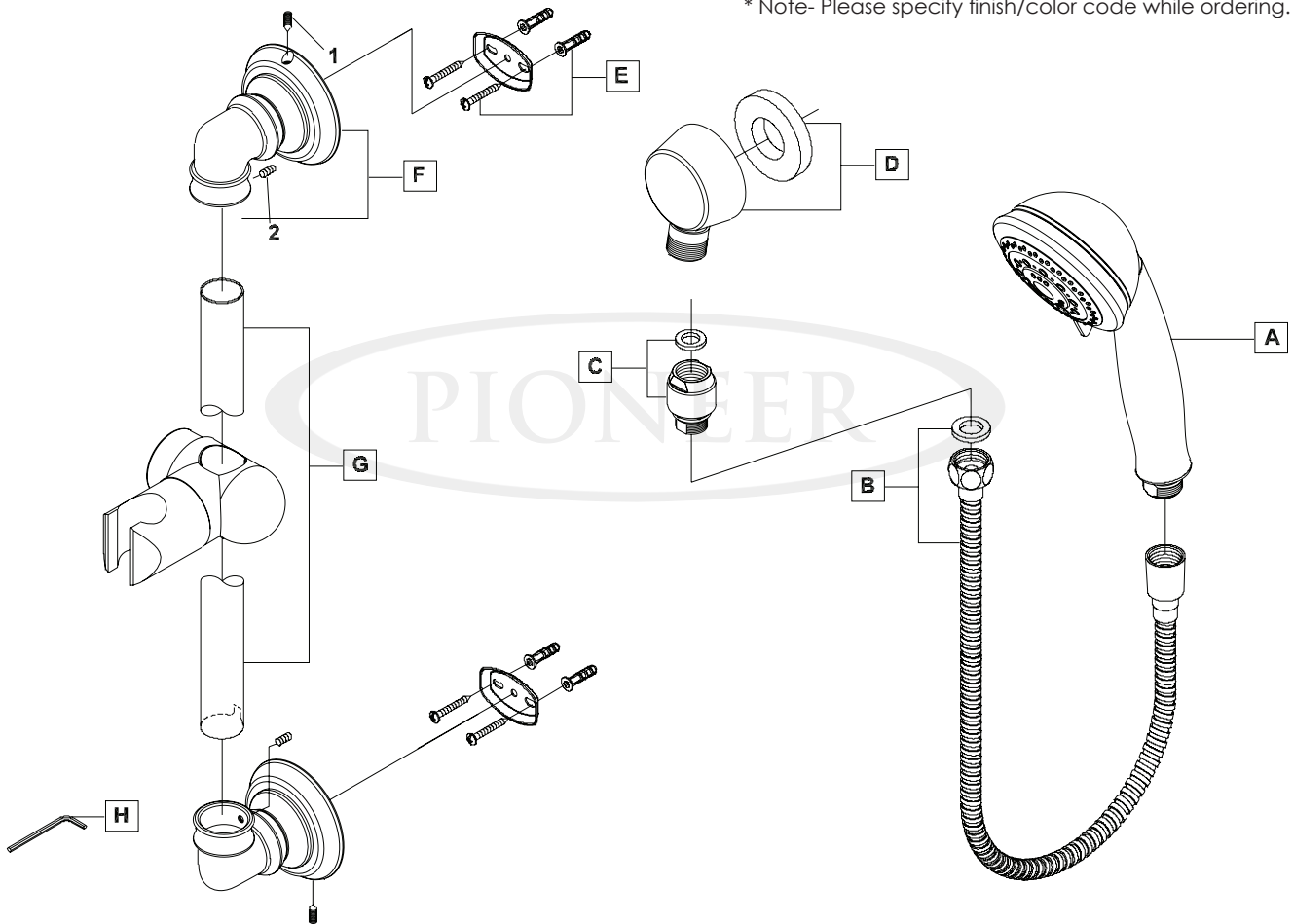
Model	Description	Finishes	
#6DM400	Handheld Shower Set	<input type="checkbox"/> PC	<input type="checkbox"/> Other____



ENGINEERING EXCELLENCE  
 Pioneer:1-800-338-9468  
 Commerce, CA 90040  
 www.pioneerind.com  
 Pioneer Industries, Inc. © 2013

	ITEM#	DESCRIPTION
A	X-4600007*	Five Setting Handheld Shower
B	X-4600006*	60" Stainless Steel Flex Hose
C	X-4600005*	Vacuum Breaker
D	X-4600004*	Drop Ell
E	X-5600001	Mounting Kit
F	X-4600001*	Del Mar Brass Mounts
G	X-4600003*	Slide Bar & Slider
H	X-4900024	3/32" Allen Wrench
1	X-4600002	Mounting Screw
2	X-4900002	3/32" Allen Screw

\* Note- Please specify finish/color code while ordering.



Product Diagram

